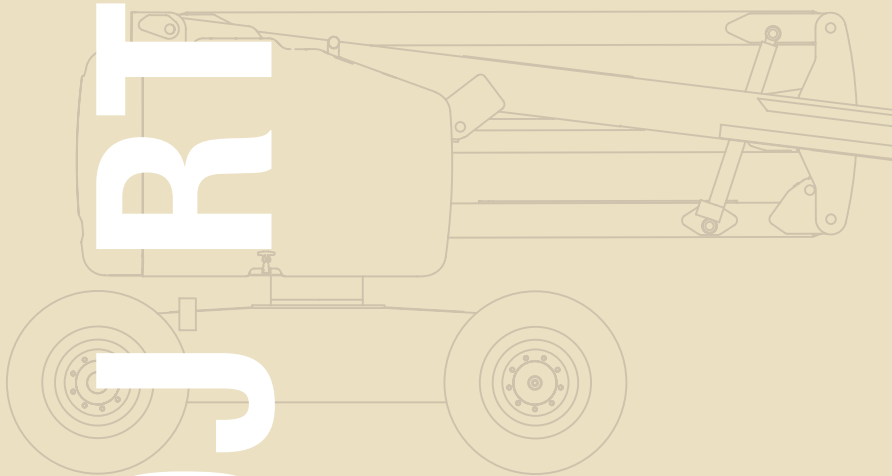


SELF-PROPELLED ARTICULATING BOOM | Z™-51/30J RT

Genie
A TEREX COMPANY



INTRODUCING THE
Z™ -51/30J
RT



WWW.VERBAUWHEDE.COM

STANDARD FEATURES

- 17.6 m (57 ft 3 in) working height
- 9.2 m (30 ft 4 in) horizontal reach
- 1.52 m (5 ft) jib boom
- 227 kg (500 lb) lift capacity
- 1.8 m (6 ft) self-levelling steel platform
- Hydraulic platform rotation
- Thumb rocker steer
- Positive traction 4 WD
- Active oscillating axle
- Rough terrain foam filled tyres
- Fully proportional controls
- 12 V DC auxiliary power unit
- Drive enable system
- Engine protection package
- AC power to platform
- Intake heater
- Horn
- Hour meter
- Tilt alarm
- Alarm package with beacon
- Fully certified load sensor

PLATFORM OPTIONS

- 1.2 m or 1.5 m (4ft or 5 ft) platforms
- 1.8 m (6 ft) tri-entry steel platform
- Platform swing gate
- Half mesh platform
- Platform auxiliary top rail

TYRE OPTIONS

- Rough terrain non-marking tyres: foam filled

OTHER OPTIONS

- Air line to platform
- Tool tray
- Platform work lights
- Front driving lights
- Lockable control box cover
- 3000 watt AC generator (220V)
- 3500 watt AC generator (110V)
- Hostile environment package
- Tow package
- Arctic oil
- Arctic hoses
- Pipe cradle
- Fluorescent tube caddy
- Diesel spark arrestor
- Diesel exhaust spark arrestor/scrubber

STANDARD COMPLIANCE

- CE EN280
- Tier II emission compliant engine

Genie
A TEREX COMPANY

www.genieindustries.com

Genie Europe

The Maltings
Wharf Road
Grantham NG31 6BH
UK

Tel: +44 (0)1476 584333
Fax: +44 (0)1476 584334

Genie United States

18340 NE 76th Street
P.O. Box 97030
Redmond, Washington 98073-9730
USA

Tel: +1 425 881-1800
Fax: +1 425 883-3475

SELF-PROPELLED ARTICULATING BOOM | Z™-51/30J RT

The Z™-51/30J RT is the latest addition to the world class line up of Genie Z™ Booms. This new articulating Z™ boom features a platform height of 15.6 m (51 ft 3 in), 9.2 m (30 ft 4 in) of horizontal outreach, and 7 m (23 ft 1 in) of up-and-over clearance. The 1.52 m (5 ft) articulating jib boom provides increased flexibility and the 160° platform rotation allows precise platform positioning and easy operation. The active oscillating axle provides superior terrainability.

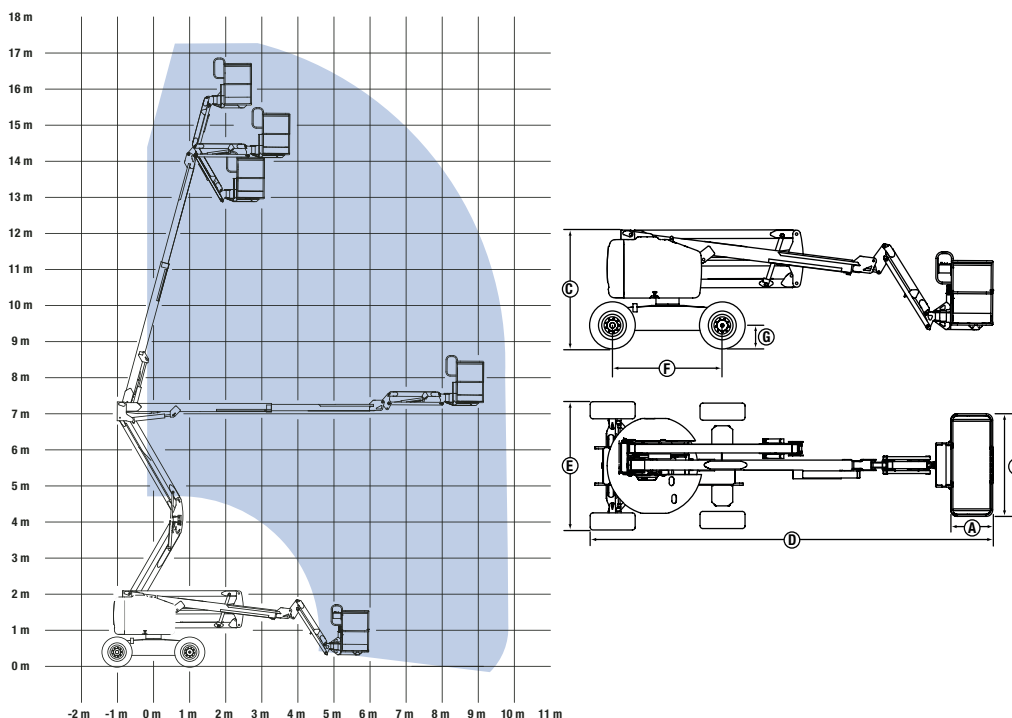
Specifications	Metric	Imperial
Working height max.*	17.6 m	57 ft 3 in
Platform height max.	15.6 m	51 ft 3 in
Horizontal reach max.	9.2 m	30 ft 4 in
Up and over clearance	7 m	23 ft 1 in
(A) Platform length	0.76 m	2 ft 6 in
(B) Platform width	1.83 m	6 ft
(C) Height stowed	2.16 m	7 ft 1 in
(D) Length stowed	7.50 m	24 ft 6 in
(E) Width	2.29 m	7 ft 6 in
(F) Wheelbase	2 m	6 ft 8 in
(G) Ground clearance – centre	0.39 m	15.5 in
Lift capacity	227 kg	500 lbs
Platform rotation	160°	160°
Turntable rotation	359° non-continuous	359° non-continuous
Turntable tailswing	zero	zero
Drive speed – stowed	8 km/h	5 mph
Drive speed – raised**	1 km/h	0.6 mph
Lift speed to full height	52 sec.	52 sec.
Gradeability*** - 4x4	45%	45%
Turning radius – inside	1.68 m	5 ft 6 in
Turning radius – outside	4.50 m	14 ft 9 in
Controls	12 V DC	proportional
Tyres	355/55 D625 foam filled	
Power	Deutz Diesel F3L 2011F 49 hp (36 Kw)	
Auxiliary power unit	12 V DC	
Hydraulic tank capacity	90 L	24 gal.
Fuel tank capacity	64 L	17 gal.
Weight****	7,210 kg	15,900 lbs

* The metric equivalent of working height adds 2 m to platform height. Imperial adds 6 ft to platform height.

** In lift mode (platform raised), the machine is designed to operate on firm, level surfaces only.

*** Gradeability applies to driving on slopes. See operator's manual for details regarding slope ratings.

**** Weight will vary depending on options and/or country standards.



For further information, please contact your local distributor or the Genie Industries sales office listed. Continuous improvement of our products is a Genie policy. Product specifications are subject to change without notice or obligation. The photographs and drawings in this brochure are for illustrative purposes only. Refer to the appropriate Operator's Manual for instructions on the proper use of this equipment. Failure to follow the appropriate Operator's Manual when using our equipment or to otherwise act in accordance with the instructions may result in injury or death. Genie Industries, Inc. reserves the right to change specifications subject to change without notice. The only warranty applicable is the standard written warranty applicable to the particular product and sale. Genie makes no other warranty, expressed or implied. Products and services listed may be trademarks, service marks or trade-names of TEREX Corporation and/or its subsidiaries in the USA and other countries and all rights are reserved. Copyright ©2005 Genie Industries, Inc. "Genie" is a Registered Trademark of Genie Industries, Inc. in the USA and many other countries. Genie is a TEREX Company. Part No. B43026UK. Effective date 06/05.